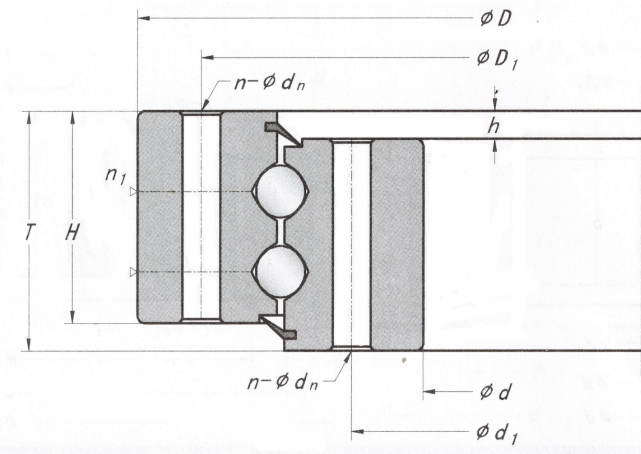
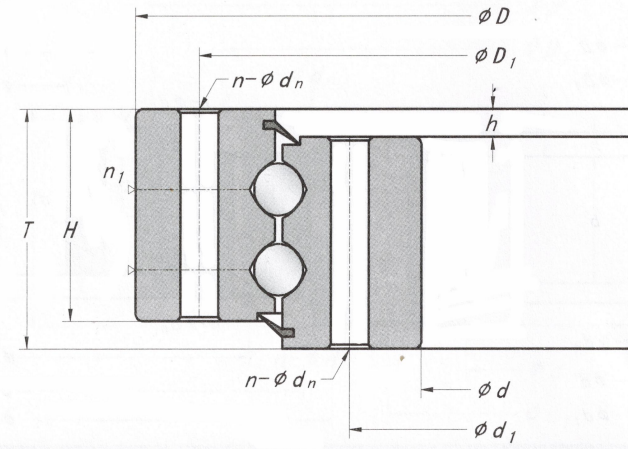


双排等径推力角接触球转盘轴承 Double-row Ball Slewing Ring with Same Diameter Balls



Designations	Dimension (mm)									
	D	d	T	H	h	D_1	d_1	d_n	n	n_1
030.25.560	676	444	110	100	26	640	480	18	20	4
	676	444	110	100	26	640	480	18	20	4
030.25.630	746	514	110	100	26	710	550	18	24	4
	746	514	110	100	26	710	550	18	24	4
030.25.710	826	594	110	100	26	790	630	18	24	4
	826	594	110	100	26	790	630	18	24	4
030.30.800	942	658	130	120	29	898	702	22	30	6
	942	658	130	120	29	898	702	22	30	6
030.30.900	1042	758	130	120	29	998	802	22	30	6
	1042	758	130	120	29	998	802	22	30	6
030.30.1000	1142	858	130	120	29	1098	902	22	36	6
	1142	858	130	120	29	1098	902	22	36	6
030.30.1120	1262	978	130	120	29	1218	1022	22	36	6
	1262	978	130	120	29	1218	1022	22	36	6
030.40.1250	1426	1074	170	160	39	1374	1126	26	40	5
	1426	1074	170	160	39	1374	1126	26	40	5
030.40.1400	1576	1224	170	160	39	1524	1272	26	40	5
	1576	1224	170	160	39	1524	1272	26	40	5
030.40.1600	1776	1424	170	160	39	1724	1476	26	45	5
	1776	1424	170	160	39	1724	1476	26	45	5
030.40.1800	1976	1624	170	160	39	1924	1676	26	45	5
	1976	1624	170	160	39	1924	1676	26	45	5

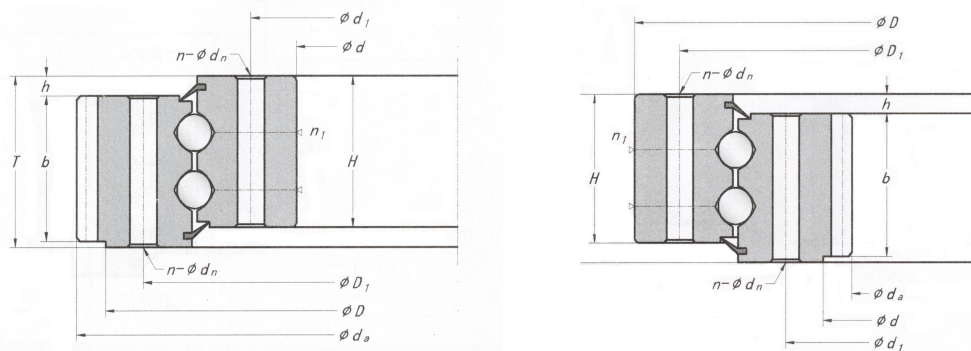
双排等径推力角接触球转盘轴承 Double-row Ball Slewing Ring with Same Diameter Balls



Designations	Dimension (mm)									
	D	d	T	H	h	D_1	d_1	d_n	n	n_1
030.50.2000	2215	1785	200	188	47	2149	1851	33	48	8
	2215	1785	200	188	47	2149	1851	33	48	8
030.50.2240	2455	2025	200	188	47	2389	2091	33	48	8
	2455	2025	200	188	47	2389	2091	33	48	8
030.50.2500	2715	2285	200	188	47	2649	2351	33	56	8
	2715	2285	200	188	47	2649	2351	33	56	8
030.50.2800	3015	2585	200	224	47	2949	2651	33	56	8
	3015	2585	200	224	47	2949	2651	33	56	8
030.60.3150	3428	2872	240	224	56	3338	2962	45	56	8
	3428	2872	240	224	56	3338	2962	45	56	8
030.60.3550	3828	3272	240	224	56	3738	3362	45	56	8
	3828	3272	240	224	56	3738	3362	45	56	8
030.60.4000	4278	3722	240	224	56	4188	3812	45	60	8
	4278	3722	240	224	56	4188	3812	45	60	8

双排等径推力角接触球转盘轴承

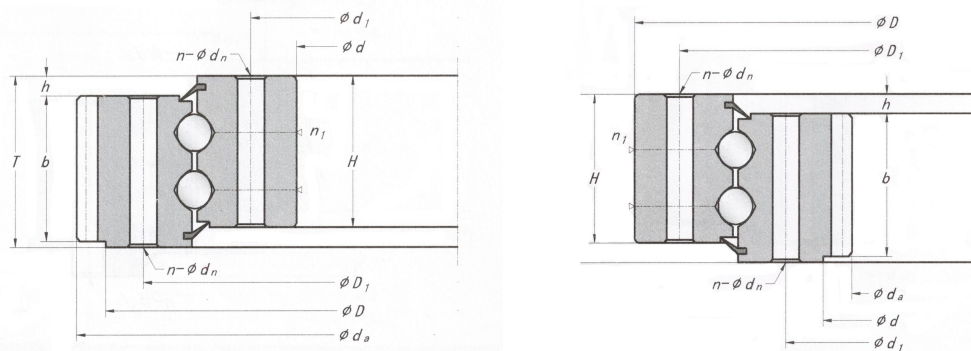
Double-row Ball Slewing Ring with Same Diameter Balls



Designations		Gear parameters		External gear parameters		Internal gear parameters		Weight kg
external gear	internal gear	b	m	d _a	z	d _a	z	
031.25.560	033.25.560	60	5	704	138	417	84	156
032.25.560	034.25.560	60	6	706.8	115	410.4	69	
031.25.630	033.25.630	60	6	790.8	129	482.4	81	175
032.25.630	034.25.630	60	8	790.4	96	475.2	60	
031.25.710	033.25.710	60	6	862.8	141	560.4	94	198
032.25.710	034.25.710	60	8	862.4	105	555.2	70	
031.30.800	033.30.800	80	8	982.4	120	619.2	78	324
032.30.800	034.30.800	80	10	988	96	614	62	
031.30.900	033.30.900	80	8	1086.4	133	715.2	90	366
032.30.900	034.30.900	80	10	1088	106	714	72	
031.30.1000	033.30.1000	80	10	1198	117	814	82	405
032.30.1000	034.30.1000	80	12	1197.6	97	796.8	67	
031.30.1120	033.30.1120	80	10	1318	129	924	93	455
032.30.1120	034.30.1120	80	12	1317.6	107	916.8	77	
031.40.1250	033.40.1250	90	12	1497.6	122	1012.8	85	837
032.40.1250	034.40.1250	90	14	1495.2	104	1013.6	73	
031.40.1400	033.40.1400	90	12	1641.6	134	1156.8	97	940
032.40.1400	034.40.1400	90	14	1649.2	115	1153.6	83	

双排等径推力角接触球转盘轴承

Double-row Ball Slewing Ring with Same Diameter Balls



Designations		Gear parameters		External gear parameters		Internal gear parameters		Weight kg
external gear	internal gear	b	m	d _a	z	d _a	z	
031.40.1600	033.40.1600	90	14	1845.2	129	1349.6	97	1075
032.40.1600	034.40.1600	90	16	1852.8	113	1350.4	85	
031.40.1800	033.40.1800	90	14	2055.2	144	1545.6	111	1213
032.40.1800	034.40.1800	90	16	2060.8	126	1542.4	97	
031.50.200	033.50.2000	120	16	2300.8	141	1702.4	107	1921
032.50.2000	034.50.2000	120	18	2300.4	125	1699.32	95	
031.50.2240	033.50.2240	120	16	2540.8	156	1942.4	122	2159
032.50.2240	034.50.2240	120	18	2552.4	139	1933.2	108	
031.50.2500	033.50.2500	120	18	2804.4	153	2203.2	123	2406
032.50.2500	034.50.2500	120	20	2816	138	2188	110	
031.50.2800	033.50.2800	120	18	3110.4	170	2491.2	139	3221
032.50.2800	034.50.2800	120	20	3116	153	2488	125	
031.60.3150	033.60.3150	150	20	3536	174	2768	139	4652
032.60.3150	034.60.3150	150	22	3537.6	158	2758.8	126	
031.60.3550	033.60.3550	150	20	3936	194	3168	159	5262
032.60.3550	034.60.3550	150	22	3933.6	176	3176.8	145	
031.60.4000	033.60.4000	150	22	4395.6	197	3616.8	165	5938
032.60.4000	034.60.4000	150	25	4395	173	3610	145	