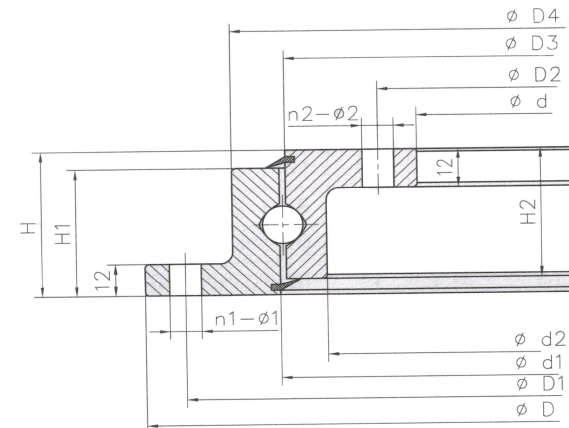
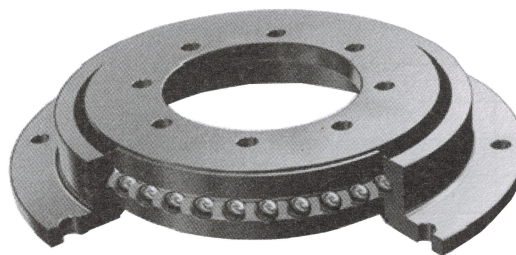




Flanged Slewing Bearing Ung geared

No Gear

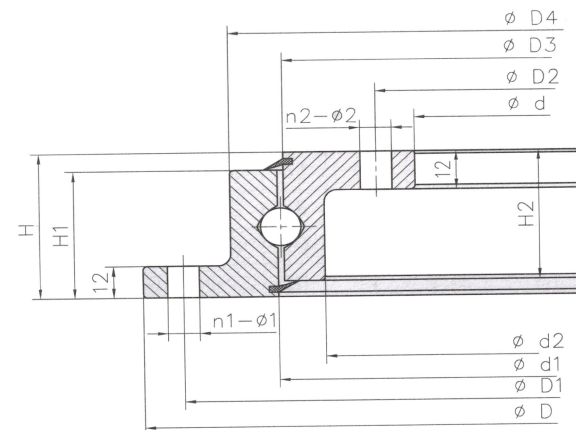
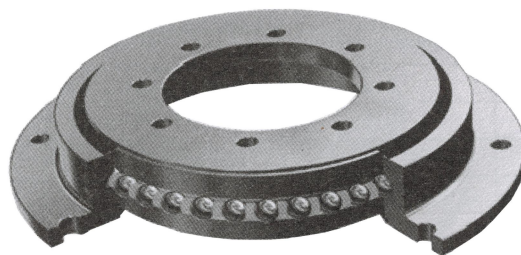


轴承型号 Designation			外形尺寸 Dimensions			安装孔尺寸 Mounting Hole Size						结构尺寸 Structure dimensions						Basic load coa KN	重量 Weight kg
INA	Rothe Erde	TG	D	d	H	D1	D2	n1	n2	Φ1	Φ2	D4	d2	H1	H2	d1	D3		
	230.20.0400.013		518	304	56	490	332	8	12	18	18			45.5	45.5	415.5	412.5	250	23.4
	230.20.0400.503		518	304	56	490	332	16	24	18	18			45.5	45.5	415.5	412.5	250	23
		SD.505.20.00.C	518	304	56	490	332	8	12	18	18	453	375	46	46	415.5	412.5	500	24.3
VLU200414ZT			518	304	56	490	332	8	12	18	18	458.5	369.5	47.5	47.5	415.5	412.5	600	26.5
VLU200414			518	304	56	490	332	8	12	18	18			47.5	47.5	415.5	412.5	295	23.5
	230.21.0475.013		517	305	56	490	332	8	12	18	18			45.5	45.5	415.5	412.5	250	23.4
	230.20.0500.013		648	434	56	620	462	10	14	18	18			45.5	45.5	545.5	542.5	330	31
	230.20.0500.503		648	434	56	620	462	20	28	18	18			45.5	45.5	545.5	542.5	330	30.4
		SD.650.20.00.C	648	434	56	620	462	10	14	18	18	583	505	46	46	545.5	542.5	660	32
	230.20.0500.013		648	434	56	620	462	20	28	18	18	583	505	45.5	45.5	545.5	542.5	660	30.4
VLU200544ZT			648	434	56	620	462	10	14	18	18	588.5	499.5	47.5	47.5	545.5	542.5	800	35.4
VLU200544			648	434	56	620	462	10	14	18	18			47.5	47.5	545.5	542.5	385	31
		SD.650.20.00.C	648	434	56	620	462	10	14	18	18	583	505	46	46	545.5	542.5	400	31
	230.21.0575.013		647	435	56	620	462	10	14	18	18			45.5	45.5	545.5	542.5	330	31
	230.20.0600.013		748	534	56	720	562	12	16	18	18			45.5	45.5	645.5	642.5	390	36.4
	230.20.0600.503		748	534	56	720	562	24	32	18	18			45.5	45.5	645.5	642.5	390	35.8
		SD.750.20.00.C	748	534	56	720	562	12	16	18	18	683	605	46	46	645.5	642.5	780	38
VLU200644ZT			748	534	56	720	562	12	16	18	18	685	602	47.5	47.5	645.5	642.5	780	38
VLU200644ZT			748	534	56	720	562	12	16	18	18	688.5	599.5	47.5	47.5	645.5	642.5	900	42
VLU200644			748	534	56	720	562	12	16	18	18			47.5	47.5	645.5	643	455	36.5



Flanged Slewing Bearing Ungeared

No Gear

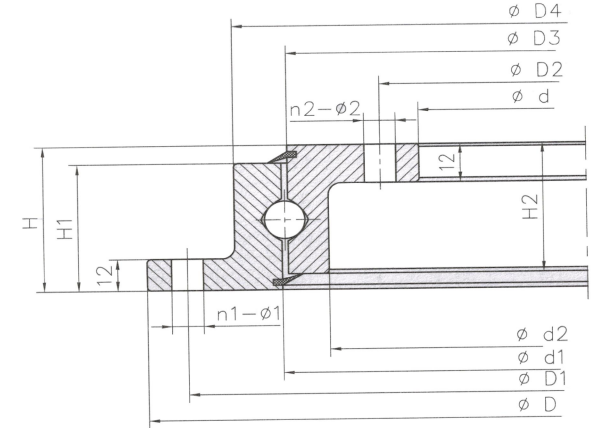
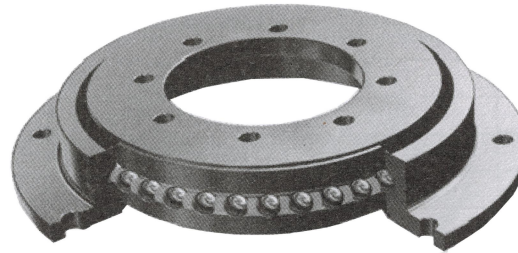


轴承型号 Designation			外形尺寸 Dimensions			安装孔尺寸 Mounting Hole Size						结构尺寸 Structure dimensions						Basic load coa KN	重量 Weight kg
INA	Rothe Erde	TG	D	d	H	D1	D2	n1	n2	$\Phi 1$	$\Phi 2$	D4	d2	H1	H2	d1	D3		
		SD.750.20.00.C	748	534	56	720	562	12	16	18	18	683	605	46	46	645.5	642.5	460	36.5
	230.21.0675.013		747	535	56	720	562	12	16	18	18			45.5	45.5	645.5	642.5	390	36.4
		SD.750.20.00.C	746	536	56	720	562	12	16	18	18	683	605	46	46	645.5	642.5	780	38
	230.20.0700.013		848	634	56	820	662	12	16	18	18			45.5	45.5	745.5	742.5	450	42.8
	230.20.0700.503		848	634	56	820	662	24	32	18	18			45.5	45.5	745.5	742.5	450	42.2
VLU200744ZT			848	634	56	820	662	12	16	18	18	789	699.5	47.5	47.5	745.5	742.5	1050	45
VLU200744			848	634	56	820	662	12	16	18	18			47.5	47.5	745.5	742.5	530	42.5
	230.21.0775.013		847	635	56	820	662	12	16	18	18			45.5	45.5	745.5	742.5	450	42.8
	230.20.0800.013		948	734	56	920	762	14	18	18	18			45.5	45.5	845.5	842.5	510	47.8
	230.20.0800.503		948	734	56	920	762	28	36	18	18			45.5	45.5	845.5	842.5	510	47.1
		SD.950.20.00.C	948	734	56	920	762	14	18	18	18	883	805	46	46	845.5	842.5	1030	50
VLU200844ZT			948	734	56	920	762	14	18	18	18	888.5	799.5	47.5	47.5	845.5	842.5	1200	53.8
VLU200844			948	734	56	920	762	14	18	18	18			47.5	47.5	845.5	842.5	600	48
	230.21.0875.013		947	735	56	920	762	14	18	18	18			45.5	45.5	845.5	842.5	510	47.8
		SD.950.20.00.C	946	736	56	920	762	14	18	18	18	883	805	46	46	845.5	842.5	1030	50
	280.30.0900.013		1100	805	90	1060	845	30	30	22	22			71	71	953.5	956.5	1750	131
	280.30.0900.013		1100	805	90	1060	845	30	30	22	22			71	71	953.5	956.5	1750	131
VLU 300955			1100	805	90	1060	845	30	30	22	22			71	71	953	957	2550	135
		SD.1100.32.00.C	1100	805	90	1060	845	30	30	22	22	1017	893	71	71	955	955	2250	131
	280.30.0975.013		1098	807	90	1060	845	30	30	22	22			71	71	953.5	956.5	1750	131



No Gear

Flanged Slewing Bearing Ungeared

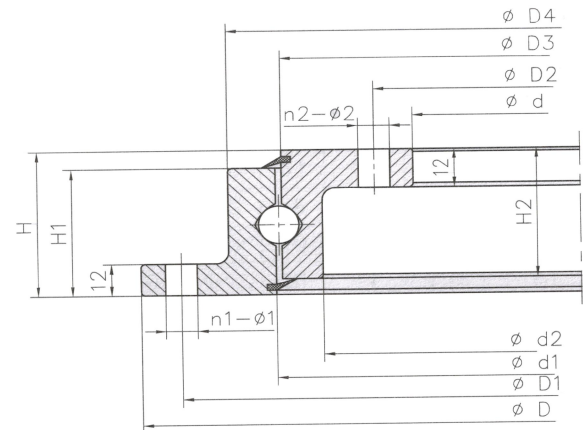
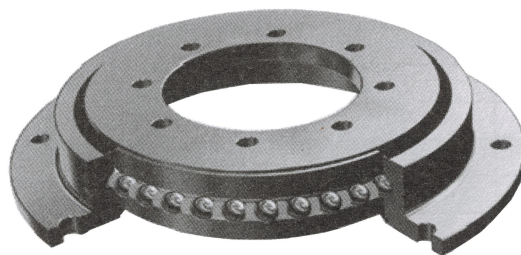


轴承型号 Designation			外形尺寸 Dimensions			安装孔尺寸 Mounting Hole Size						结构尺寸 Structure dimensions						Basic load coa KN	重量 Weight kg
INA	Rothe Erde	TG	D	d	H	D1	D2	n1	n2	Φ1	Φ2	D4	d2	H1	H2	d1	D3		
	230.20.0900.013		1048	834	56	1020	862	16	20	18	18			45.5	45.5	945.5	942.5	570	53.1
	230.20.0900.503		1048	834	56	1020	862	32	40	18	18			45.5	45.5	945.5	942.5	570	52.3
		SD.1050.20.00.C	1048	834	56	1020	862	16	20	18	18	983	905	46	46	945.5	942.5	1440	55.6
VLU200944ZT			1048	834	56	1020	862	16	20	18	18	988.5	899.5	47.5	47.5	945.5	942.5	1350	61
VLU200944			1048	834	56	1020	862	16	20	18	18			47.5	47.5	945.5	942.5	670	54
	230.21.0975.013		1047	835	56	1020	862	16	20	18	18			45.5	45.5	945.5	942.5	570	53.1
	280.30.1000.013		1200	905	90	1160	945	30	30	22	22			71	71	1053.5	1056.5	1840	145
VLU301055			1200	905	90	1160	945	30	30	22	22			71	71	1053	1057	2800	149
		SD.1200.32.00.C	1200	905	90	1160	945	30	30	22	22	1117	993	71	71	1055	1055	2500	145
	280.30.1075.013		1198	907	90	1160	945	30	30	22	22			71	71	1053.5	1056.5	1840	145
	230.20.1000.013		1198	984	56	1170	1012	16	20	18	18			45.5	45.5	1095.5	1092.5	665	61.9
	230.20.1000.503		1198	984	56	1170	1012	32	40	18	18			45.5	45.5	1095.5	1092.5	665	61.1
		SD.1200.20.00.C	1198	984	56	1170	1012	16	20	18	18	1133	1055	46	46	1095.5	1092.5	1700	62.8
VLU 201094			1198	984	56	1170	1012	16	20	18	18			47.5	47.5	1095.5	1092.5	770	62.5
		SD.1200.20.00.C	1198	984	56	1170	1012	16	20	18	18	1133	1055	46	46	1095.5	1092.5	780	62
	230.21.1075.013		1197	985	56	1170	1012	16	20	18	18			45.5	45.5	1095.5	1092.5	665	61.9
	280.30.1100.013		1300	1005	90	1260	1045	36	36	22	22			71	71	1153.5	1156.5	1900	159
VLU 301155			1300	1005	90	1260	1045	36	36	22	22			71	71	1153	1157	3100	164
		SD.1300.32.00.C	1300	1005	90	1260	1045	36	36	22	22	1217	1093	71	71	1155	1155	2700	159
	280.30.1175.013		1298	1007	90	1260	1045	36	36	22	22			71	71	1153.5	1156.5	1900	159



No Gear

Flanged Slewing Bearing Ung geared



轴承型号 Designation			外形尺寸 Dimensions			安装孔尺寸 Mounting Hole Size						结构尺寸 Structure dimensions					Basic load coa KN	重量 Weight kg	
INA	Rothe Erde	TG	D	d	H	D1	D2	n1	n2	$\Phi 1$	$\Phi 2$	D4	d2	H1	H2	d1	D3		
	280.30.1200.013		1400	1105	90	1360	1145	42	42	22	22			71	71	1253.5	1256.5	1950	172
VLU 301255			1400	1105	90	1360	1145	42	42	22	22			71	71	1253	1257	3350	177
		SD.1400.32.00.C	1400	1105	90	1360	1145	42	42	22	22	1317	1193	71	71	1255	1255	3000	172
	280.30.1275.013		1398	1107	90	1360	1145	42	42	22	22			71	71	1253.5	1256.5	1950	172
	280.30.1300.013		1500	1205	90	1460	1245	42	42	22	22			71	71	1353.5	1356.5	2000	186
VLU 301355			1500	1205	90	1460	1245	42	42	22	22			71	71	1353	1357	3600	191
		SD.1500.32.00.C	1500	1205	90	1460	1245	42	42	22	22	1417	1293	71	71	1355	1355	3260	186
	280.30.1375.013		1498	1207	90	1460	1245	42	42	22	22			71	71	1353.5	1356.5	2000	186
	280.30.1400.013		1600	1305	90	1560	1345	48	48	22	22			71	71	1453.5	1456.5	2050	200
	280.30.1400.013		1600	1305	90	1560	1345	48	48	22	22	1517	1393	71	71	1456.5	1453.5	4100	200
VLU 301455			1600	1305	90	1560	1345	48	48	22	22			71	71	1453	1457	4000	206
		SD.1600.32.00.C	1600	1305	90	1560	1345	48	48	22	22	1517	1393	71	71	1455	1455	3440	200
	280.30.1475.013		1598	1307	90	1560	1345	48	48	22	22			71	71	1453.5	1456.5	2050	200