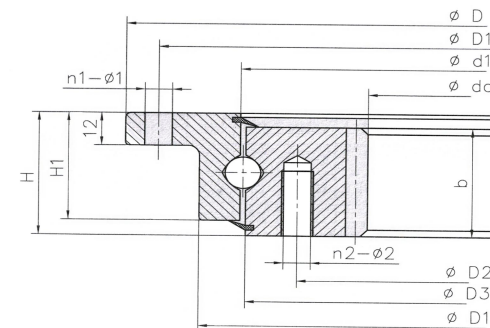
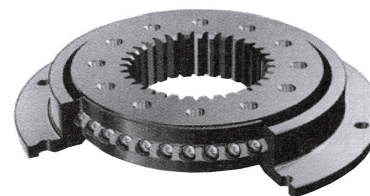




Flanged Slewing Bearing Internal Gear

Internal Gear

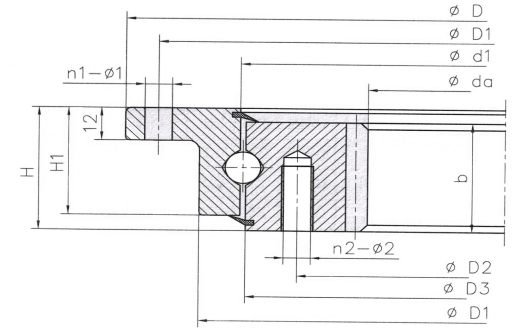
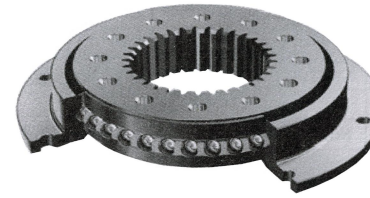


轴承型号 Designation			外形尺寸 Dimensions				安装孔尺寸 Mounting Hole Size						结构尺寸 Structure dimensions						额定负荷 coA KN	重量 Weight kg	
INA	Rothe Erde	TG	Da	D	d	H	D1	D2	n1	n2	$\phi 1$	$\phi 2$	d2	b	h	bh	H2	d1	D3		
VLI200414N ZT			325	518	350	56	490	375	8	12	18	M12	458.5	40	11.5	44.5	47.5	415.5	412.5	600	28.5
VLI 20 0414N ZT RL2			325	518	350	56	490	375	8	12	18	M12	456	40	11.5	44.5	47.5	415.5	412.5	300	36.3
VLI200414N			325	518	350	56	490	375	8	12	18	M12		40	8.5	44.5	47.5	415.5	412.5	295	27.5
	232.20.0400.013		326.5	518		56	490	375	8	12	18	M12		45.5	10.5	45.5	45.5	415.5	412.5	250	27.1
	232.20.0400.503		326.5	518		56	490	375	16	12	18	M12		45.5	10.5	45.5	45.5	415.5	412.5	250	26.9
	232.21.0475.013		326.5	517		56	490	375	8	12	18	M12		45.5	10.5	45.5	45.5	415.5	411.0	250	27.1
		I.505.20.00.C	326.5	518		56	490	375	8	12	18	M12	453	46	10	46	46	415.5	412.5	500	35.4
VLI200544N ZT			444	648		56	620	505	10	16	18	M12	588.5	44.5	11.5	44.5	47.5	545.5	542.5	790	40.6
VLI200544N			444	648		56	620	505	10	16	18	M12		44.5	11.5	44.5	47.5	545.5	542.5	385	38
	232.20.0500.013		445.2	648		56	620	505	10	16	18	M12		45.5	10.5	45.5	45.5	545.5	542.5	330	36.9
	232.20.0500.503		445.2	648		56	620	505	20	16	18	M12		45.5	10.5	45.5	45.5	545.5	542.5	330	36.7
	232.21.0575.013		445.2	647		56	620	505	10	16	18	M12		45.5	10.5	45.5	45.5	545.5	541.0	330	36.9
		I.650.20.00.C	445.2	648		56	620	505	10	16	18	M12	583	46	10	46	46	545.5	542.5	700	40.2
VLI200644N ZT			546	748		56	720	605	12	18	18	M12	688.5	44.5	11.5	44.5	47.5	645.5	642.5	900	47.4
VLI200644N			546	748		56	720	605	12	18	18	M12		44.5	8.5	44.5	47.5	645.5	642.5	455	45
	232.20.0600.013		547.2	748		56	720	605	12	18	18	M12		45.5	10.5	45.5	45.5	645.5	642.5	390	43.7
	232.21.0675.013		547.2	747		56	720	605	24	18	18	M12		45.5	11	46	46	645.5	642.5	390	43.4
	232.21.0675.013		547.2	747		56	720	605	12	18	18	M12		45.5	10.5	45.5	45.5	645.5	641.0	390	43.7
		I.750.20.00.C	547.2	748		56	720	605	12	18	18	M12	683	46	10	46	46	645.5	642.5	780	53.3
VLI200744N ZT			648	848		56	820	705	12	20	18	M12	788.5	44.5	11.5	44.5	47.5	745.5	742.5	530	54.0
VLI200744N			648	848		56	820	705	12	20	18	M12		44.5	8.5	44.5	47.5	745.5	742.5	530	51.5
	232.20.0700.013		649.2	848		56	820	705	12	20	18	M12		45.5	10.5	45.5	45.5	745.5	742.5	450	51.1



Flanged Slewing Bearing Internal Gear

Internal Gear

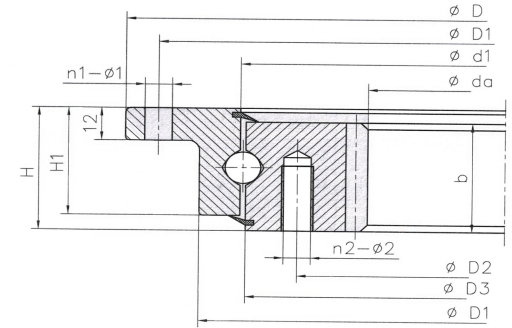
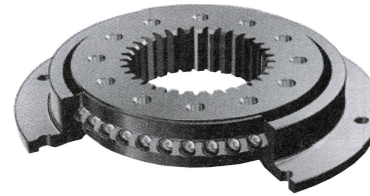


轴承型号 Designation			外形尺寸 Dimensions				安装孔尺寸 Mounting Hole Size						结构尺寸 Structure dimensions						额定负荷 coA KN	重量 Weight kg	
INA	Rothe Erde	TG	Da	D	d	H	D1	D2	n1	n2	$\phi 1$	$\phi 2$	d2	b	h	bh	H2	d1	D3		
	232.20.0700.503		649.2	848		56	820	705	24	20	18	M12		45.5	10.5	45.5	45.5	745.5	742.5	450	50.8
	232.21.0775.013		649.2	847		56	820	705	12	20	18	M12		45.5	10.5	45.5	45.5	745.5	741.0	450	51.1
		I.850.20.00.C	649.2	848		56	820	705	12	20	18	M12	783	46	10	46	46	745.5	742.5	910	63.1
VLI200844N ZT			736	948		56	920	805	14	20	18	M12	888.5	44.5	11.5	44.5	47.5	845.5	842.5	1200	65.2
VLI200844N			736	948		56	920	805	14	20	18	M12		44.5	8.5	44.5	47.5	845.5	842.5	600	61.5
	232.20.0800.013		737.6	948		56	920	805	14	20	18	M12		45.5	10.5	45.5	45.5	845.5	842.5	510	61.6
	232.20.0800.503		737.6	948		56	920	805	28	20	18	M12		45.5	10.5	45.5	45.5	845.5	842.5	510	61.3
	232.21.0875.013		737.6	947		56	920	805	14	20	18	M12		45.5	10.5	45.5	45.5	845.5	841	510	61.6
		I.950.20.00.C	737.6	948		56	920	805	14	20	18	M12	883	46	10	46	46	845.5	842.5	1030	76.6
VLI300955N			810	1100		90	1060	894	30	30	22	M20		71	19	71	71	953	957	2550	164
	282.30.0900.013		812	1100		90	1060	894	30	30	22	M20		71	19	71	71	953.5	956.5	1750	159
	282.30.0975.013		812	1098		90	1060	894	30	30	22	M20		71	19	71	71	953.5	955	1750	159
		I.1100.32.00.C	812	1100		90	1060	894	30	30	12	M20	1017	71	19	71	71	955	955	2250	159
VLI200944N ZT			840	1048		56	1020	905	16	22	18	M12	988.5	44.5	11.5	44.5	47.5	945.5	942.5	1350	71
VLI200944N			840	1048		56	1020	905	16	22	18	M12		44.5	8.5	44.5	47.5	945.5	942.5	670	67.5
	232.20.0900.013		841.6	1048		56	1020	905	16	22	18	M12		45.5	10.5	45.5	45.5	845.5	942.5	570	65.8
	232.20.0900.503		841.6	1048		56	1020	905	32	22	18	M12		45.5	10.5	45.5	45.5	845.5	942.5	570	65.4
	232.21.0975.013		841.6	1047		56	1020	905	16	22	18	M12		45.5	10.5	45.5	45.5	845.5	941	570	65.8
		I.1050.20.00.C	841.6	1048		56	1020	905	16	22	18	M12	983	46	10	46	46	945.5	942.5	1440	79.8
VLI301055N			910	1200		90	1160	994	30	30	22	M20		71	19	71	71	1053	1057	2800	181
	282.30.1000.013		912	1200		90	1160	994	30	30	22	M20		71	19	71	71	1053.5	1056.5	1840	176
	282.30.1075.013		912	1198		90	1160	994	30	30	22	M20		71	19	71	71	1053.5	1055	1840	176



Flanged Slewing Bearing Internal Gear

Internal Gear

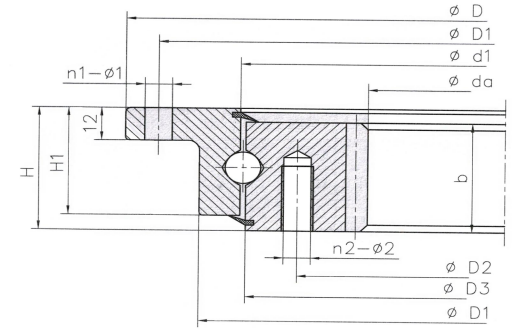
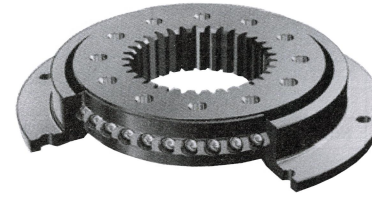


轴承型号 Designation			外形尺寸 Dimensions				安装孔尺寸 Mounting Hole Size						结构尺寸 Structure dimensions						额定负荷 coA KN	重量 Weight kg	
INA	Rothe Erde	TG	Da	D	d	H	D1	D2	n1	n2	φ1	φ2	d2	b	h	bh	H2	dI	D3		
		I.1200.32.00.C	912	1200		90	1160	994	30	30	12	M20	1117	71	19	71	71	1055	1055	2500	176
VLI201094 N ZT			984	1198		56	1170	1055	16	24	18	M12	1138.5	44.5	11.5	44.5	47.5	1095.5	1092.5	2000	80
VLI201094N			984	1198		56	1170	1055	16	24	18	M12		44.5	8.5	44.5	47.5	1095.5	1092.5	770	81.5
	232.20.1000.013		985.6	1198		56	1170	1055	16	24	18	M12		45.5	10.5	45.5	45.5	1095.5	1092.5	665	80.7
	232.20.1000.503		985.6	1198		56	1170	1055	32	24	18	M12		45.5	10.5	45.5	45.5	1095.5	1092.5	665	80.3
	232.21.1075.013		985.6	1197		56	1170	1055	16	24	18	M12		45.5	10.5	45.5	45.5	1095.5	1091	665	80.7
		I.1200.20.00.C	985.6	1198		56	1170	1055	16	24	18	M12	1133	46	10	46	46	1095.5	1092.5	1700	101
VLI301155N			1010	1300		90	1260	1094	36	36	22	M20*40		71	19	71	71	1153	1157	3100	198
	282.30.1100.013		1012	1300		90	1260	1094	36	36	22	M20		71	19	71	71	1153.5	1156.5	1900	192
	282.30.1175.013		1012	1298		90	1260	1094	36	36	22	M20		71	19	71	71	1153.5	1155	1900	192
		I.1300.32.00.C	1012	1300		90	1260	1094	36	36	12	M20	1217	71	19	71	71	1155	1155	2700	192
VLI301255N			1110	1400		90	1360	1194	42	42	22	M20*40		71	19	71	71	1253	1257	3350	215
	282.30.1200.013		1112	1400		90	1360	1194	42	42	22	M20		71	19	71	71	1253.5	1256.5	1950	208
	282.30.1275.013		1112	1398		90	1360	1194	42	42	22	M20		71	19	71	71	1253.5	1255	1950	208
		I.1400.32.00.C	1112	1400		90	1360	1194	42	42	12	M20	1317	71	19	71	71	1255	1255	3000	208
VLI301355N			1210	1500		90	1460	1294	42	42	22	M20*40		71	19	71	71	1353	1357	3600	233
	282.30.1300.013		1212	1500		90	1460	1294	42	42	22	M20		71	19	71	71	1353.5	1356.5	2000	226
	282.30.1375.013		1212	1498		90	1460	1294	42	42	22	M20		71	19	71	71	1353.5	1355	2000	226
		I.1500.32.00.C	1212	1500		90	1460	1294	42	42	12	M20	1417	71	19	71	71	1355	1355	3200	226
	282.30.1400.013		1310	1600		90	1560	1394	48	48	22	M20		71	19	71	71	1453.5	1456.5	2050	243
	282.30.1475.013		1310	1598		90	1560	1394	48	48	22	M20		71	19	71	71	1453.5	1455	2050	243
		I.1600.32.00.C	1310	1600		90	1560	1394	48	48	12	M20	1517	71	19	71	71	1455	1455	3380	243



Flanged Slewing Bearing Internal Gear

Internal Gear



轴承型号 Designation			外形尺寸 Dimensions				安装孔尺寸 Mounting Hole Size						结构尺寸 Structure dimensions						额定负荷 coa KN	重量 Weight kg	
INA	Rothe Erde	TG	Da	D	d	H	D1	D2	n1	n2	$\phi 1$	$\phi 2$	d2	b	h	bh	H2	d1	D3		
VLI301455N			1310	1600		90	1560	1394	48	48	22	M20*40		71	19	71	71	1453	1457	4000	251