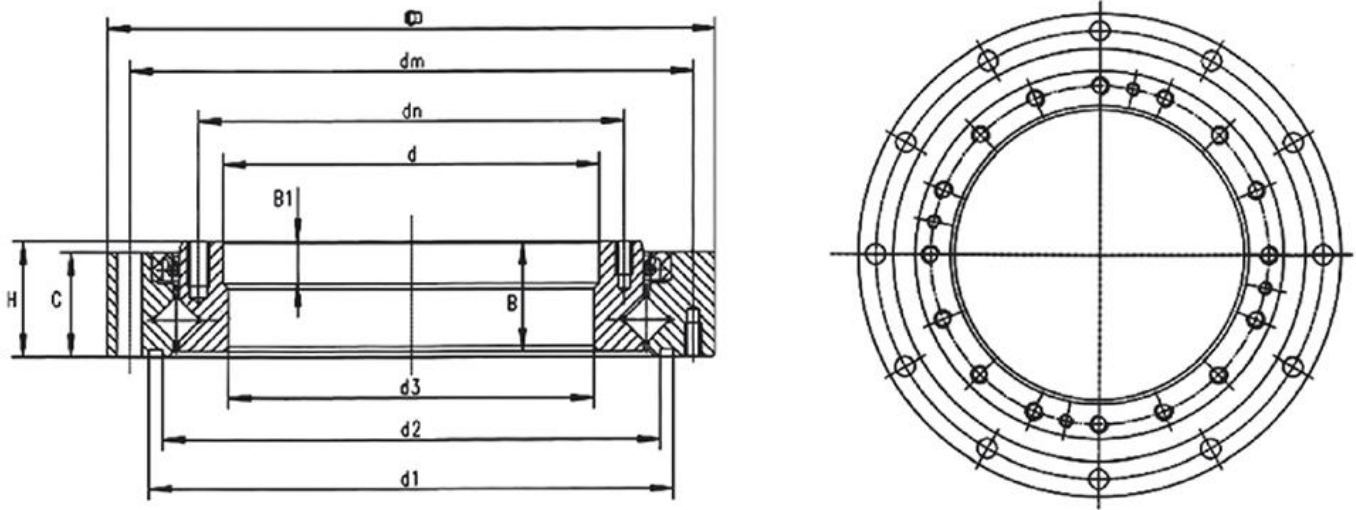


SHF/SHG Series



Model	Dimensions									Center diameter dm	Corresponding model
	d	d3	D	H	C	B	B1	d1	d2		
	Unit: mm										
JRU14-70-SHF	38	36	70	15.2	14.2	13.7	5	57	53	64	SHF/SHG-14
JRU17-80-SHF	47	44.2	80	17	16	16.4	6.5	68.1	64	74	SHF/SHG-17
JRU20-90-SHF	54	51.3	90	18.5	17.5	17.5	7	78	72.6	84	SHF/SHG-20
JRU25-110-SHF	67	64.2	110	20.7	18.7	19.7	7.5	94.8	90	102	SHF/SHG-25
JRU32-142-SHF	88	84	142	24.4	23.4	23.4	8	123	117.6	132	SHF/SHG-32
JRU40-170-SHF	108	106	170	30	29	28.5	9.5	148	142.6	158	SHF/SHG-40
JRU50-214-SHF	135	129	214	36	34	34.5	11	188	182.6	200	SHF/SHG-50

Model	Outer ring mounting hole		Inner ring mounting hole			Rated load		Weight Kg	Corresponding model
	Mounting hole 1	Mounting hole 2	Center diameter dn	Reverse side of mounting hole	Front of mounting hole	Cr kN	Cor kN		
JRU14-70-SHF	8-φ3.5	2-M3 (Wire depth 10)	44	12-M3 (Wire depth 6)	-	6.1	14	0.11	SHF/SHG-14
JRU17-80-SHF	12-φ3.5	4-M3 (Wire depth 10)	54	20-M3 (Wire depth 6)	-	9.4	16.1	0.36	SHF/SHG-17
JRU20-90-SHF	12-φ3.5	4-M3 (Wire depth 6)	62	16-M3 (Wire depth 6)	4-M3 (Wire depth 6)	20.2	31.1	0.44	SHF/SHG-20
JRU25-110-SHF	12-φ4.5	4-M3 (Wire depth 6)	77	16-M4 (Wire depth 8)	4-M3 (Wire depth 6)	28.5	45.2	0.7	SHF/SHG-25
JRU32-142-SHF	12-φ5.5	4-M4 (Wire depth 8)	100	16-M5 (Wire depth 8)	4-M4 (Wire depth 8)	47.3	77.3	1.57	SHF/SHG-32
JRU40-170-SHF	12-φ6.6	6-M4 (Wire depth 8)	122	16-M6 (Wire depth 10)	4-M5 (Wire depth 10)	35.5	71.2	2.4	SHF/SHG-40
JRU50-214-SHF	12-φ9	6-M5 (Wire depth 10)	154	16-M8 (Wire depth 12)	8-M5 (Wire depth 10)	80.4	151.9	4.5	SHF/SHG-50